

# TASCAM®

4-channel AES/EBU Input/Output Dante Converter with built-in DSP Mixer

## AE-4D

**Dante**  
With AES67

### Dante Compact Processor series

Providing versatility, flexibility and expandability by combining multiple DCP units.



4 AES/EBU input/output Dante converter  
to respond to various needs of contractor market and professional audio scene.

Dante  
4x4

AES/EBU  
In x4

AES/EBU  
Out x4

Compatible with Dante Domain Manager,  
and Dante AES67 Mode

24-bit  
96kHz

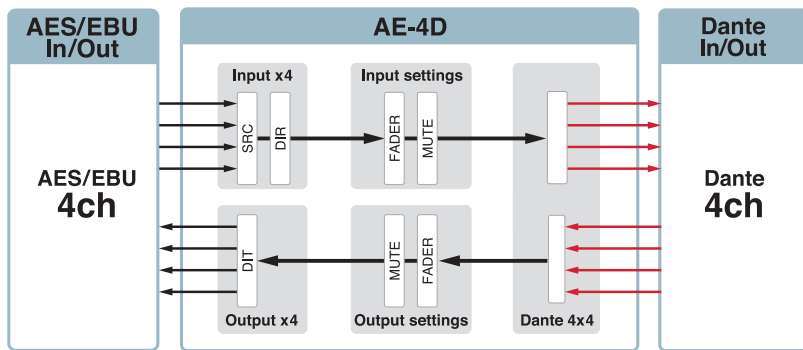
PoE  
Power on Ethernet





## Compact 1U half-rack size processor series for Dante system

The AE-4D is a compact converter that mutually converts AES/EBU signals and 4-channel Dante signals. With half the size of a standard 1U rack, the AE-4D is suitable for different Dante systems as an exquisite AES/EBU input/output unit. The built-in DSP mixer enables small scale systems to fully perform with a variety of input/output models the TASCAM Dante Compact Processor Series offers. AE-4D supports up to 96kHz/24bit and uses XLR connectors for AES/EBU output.



### 4 AES/EBU output, 4 Dante input/output

The AE-4D is a simple converter that converts 4-channel AES/EBU input signals into 4-channel Dante output signals, or 4-channel Dante input signals into 4-channel AES/EBU input signals.

### Introducing a wide range of digital equipment into a Dante system

Often used in PA/SR and pro audio environments, digital equipment compatible with AES/EBU format can be used on Dante systems. The AE-4D also includes a sampling rate converter, which enables different AES/EBU sources to be used on a Dante system.

### PoE supported

Power supply can be provided to the unit via PoE (Power over Ethernet). No need for AC adapters; power supply construction and installation costs can be reduced by using a PoE compatible network switch.

### Remote control via control software

Controlling effects or the matrix mixer can be easily done through the dedicated control software; depending on the amount of controls the user needs, there are two types:

- TASCAM DCP CONNECT  
Designed for system integrators/managers that handle the configuration and settings of an entire system.
- TASCAM EZ CONNECT  
Designed for end-users and allowing them to use simple controls.

### Other features

- Supports Dante Domain Manager, and AES67 Mode
- Supports Dante daisy chain connection
- 50 Scene presets triggered by SNTP-based Timer events
- Installable according to usage/environment

Please note that not all models and colors are available in every country. Design and specifications subject to change without notice. ©2019 TEAC Corporation. All Rights Reserved. All text, images, graphics and other materials on this brochure are subject to the copyright and other intellectual property rights of TEAC Corporation. These materials shall not directly or indirectly be published, reproduced, modified or distributed in any medium. TEAC and TASCAM are trademarks or registered trademarks of TEAC Corporation. Dante is a trademark of Audinate Pty Ltd. Other brands and product names are trademarks or registered trademarks of respective owners.

Authorized Distributors

## AE-4D

4-ch AES/EBU Input/Output Dante Converter with built-in DSP Mixer



### Specifications

Operating power:	PoE Class0 Optional AC Adapter (PS-S1220E)
Power consumption:	3W
Dimensions (WxHxD):	214 x 44.45 x 136.1 mm (inc. protrusions) 253 x 44.45 x 136.1 mm (with bracket)
Weight:	795g
Operating temperature:	0 to 40°C / 32 to 104°F

### Option

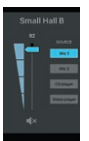
- PS-1220E (AC Adapter)
- AK-RS1 (Rack Shelf)

### Series Lineup

- MM-4D/IN-E (MIC/LINE 4 IN, Dante 4x4, Euro Block)
- MM-4D/IN-X (MIC/LINE 4 IN, Dante 4x4, XLR)
- ML-4D/OUT-E (LINE 4 Out, Dante 4x4, Euro Block)
- ML-4D/OUT-X (LINE 4 Out, Dante 4x4, XLR)
- MM-2D-E (MIC/LINE 2 IN, LINE 2 OUT, Dante 4x4, Euro Block)
- MM-2D-X (MIC/LINE 2 IN, LINE 2 OUT, Dante 4x4, XLR)

### Related Software

- TASCAM DCP CONNECT  
Control software for system integrators/managers that handle the configuration and settings of an entire system, supports Windows, macOS, Android, and iOS.  
(Free download)
- TASCAM EZ CONNECT  
Control software for end-users supports Windows, macOS, Android, and iOS.  
(Free downloads)



# TASCAM®

TEAC CORPORATION

1-47, Ochiai, Tama-shi, Tokyo 206-8530, Japan  
<https://tascam.jp/int>

ISSUED IN JAPAN 1902 D7322