

SYNC HD

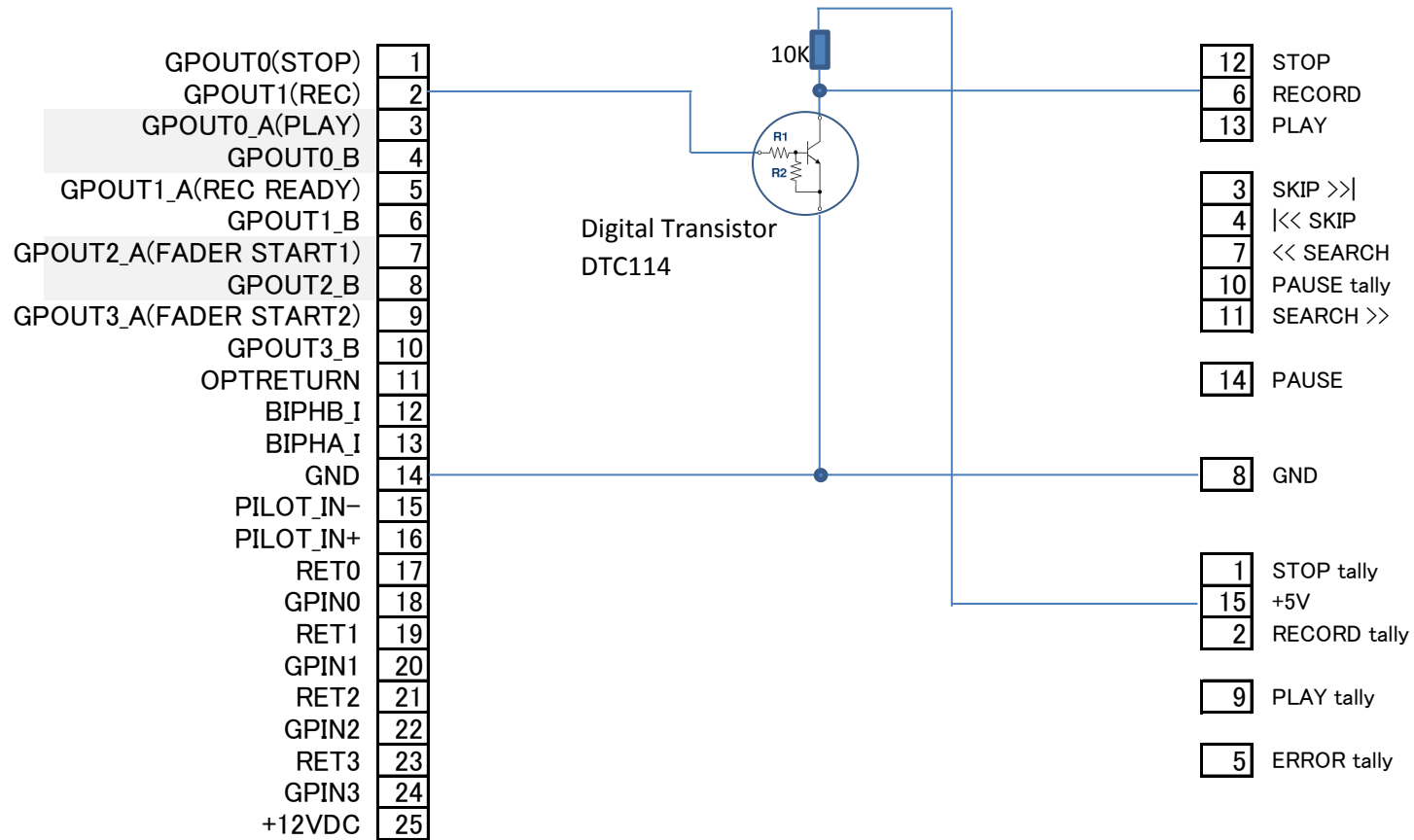
D-sub 25pin, male

Locking screws: No. 4-40 UNC (inch type)

DA-6400

D-sub 15pin, male

Locking screws: No. 4-40 UNC (inch type)



DA-6400 parallel pin #6: set FADER REC (factory default)